



## SA EXAM PAPERS

---

YOUR LEADING PAST YEAR EXAM PAPER  
PORTAL

Visit SA Exam Papers

[www.saexampapers.co.za](http://www.saexampapers.co.za)



# basic education

Department:  
Basic Education  
**REPUBLIC OF SOUTH AFRICA**

**NATIONAL  
SENIOR CERTIFICATE**

**GRADE 12**

**MATHEMATICAL LITERACY P2**

**ADDENDUM**

**NOVEMBER 2019**

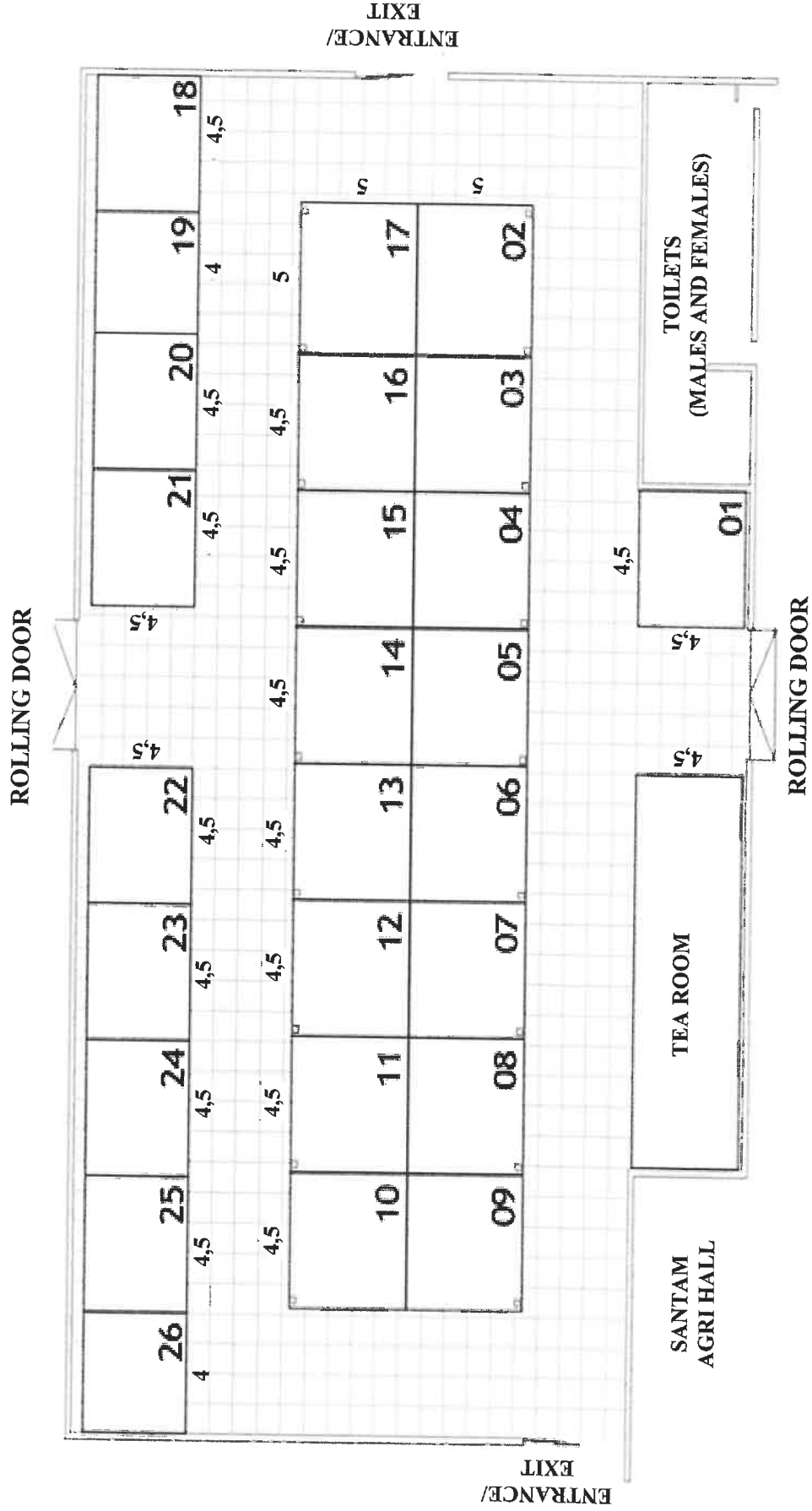
**This addendum consists of 6 pages with 5 annexures.**



**ANNEXURE B**

**QUESTION 1.3**

**FLOOR PLAN OF AN EXHIBITION HALL AT NAMPO PARK**



**ANNEXURE C****QUESTION 2.2****TAX RATES FOR INDIVIDUALS****2018/2019 TAX YEAR (1 MARCH 2018–28 FEBRUARY 2019)**

<b>TAXABLE INCOME</b>	<b>RATES OF TAX</b>
0–195 850	18% of taxable income
195 851–305 850	35 253 + 26% of taxable income above 95 850
305 851–423 300	63 853 + 31% of taxable income above 305 850
423 301–555 600	100 263 + 36% of taxable income above 423 300
555 601–708 310	147 891 + 39% of taxable income above 555 600
708 311– 1 500 000	207 448 + 41% of taxable income above 708 310
1 500 001 and above	532 041 + 45% of taxable income above 1 500 000

<b>TAX REBATE</b>	<b>2019</b>
Primary	R14 067
Secondary (65 and older)	R7 713
Tertiary (75 and older)	R2 574

<b>MEDICAL SCHEME TAX REBATES</b>	<b>2019</b>
<b>PER MONTH (R)</b>	
For the tax payer who paid medical scheme contributions	R310
For the first dependant	R310
For each additional dependant	R209

[Source: [sars.gov.za](http://sars.gov.za)]

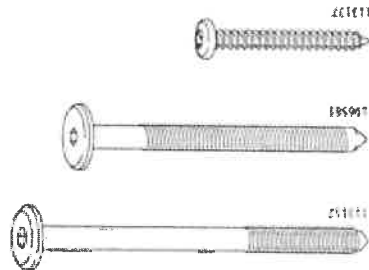


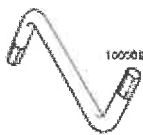
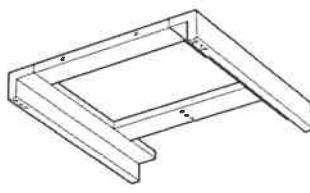

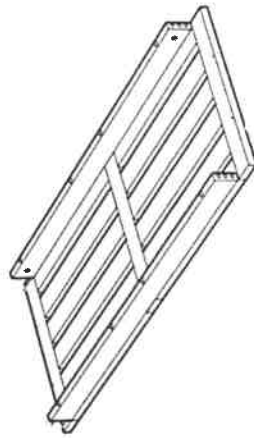
**ANNEXURE D****QUESTION 2.4****TABLE 1: TOP MARGINAL TAX RATES FOR INDIVIDUALS IN THE G20 COUNTRIES**

<b>COUNTRY</b>	<b>UNIT %</b>	
	<b>2019</b>	<b>PREVIOUS</b>
Japan	55,95	55,95
Netherlands	52,00	52
Germany	47,50	47,5
Australia	45,00	45
China	45,00	45
France	45,00	45
South Africa	45,00	45
Spain	45,00	45
United Kingdom	45,00	45
Italy	43,00	43
South Korea	40,00	40
Switzerland	40,00	40
United States of America	37,00	39,6
India	35,88	35,54
Argentina	35,00	35
Mexico	35,00	35
Turkey	35,00	35
Canada	33,00	33
Indonesia	30,00	30
Brazil	27,50	27,5
Singapore	22,00	22
Russia	13,00	13
Saudi Arabia	0,00	0

[Source: [tradingeconomics.com/country-list](http://tradingeconomics.com/country-list)]

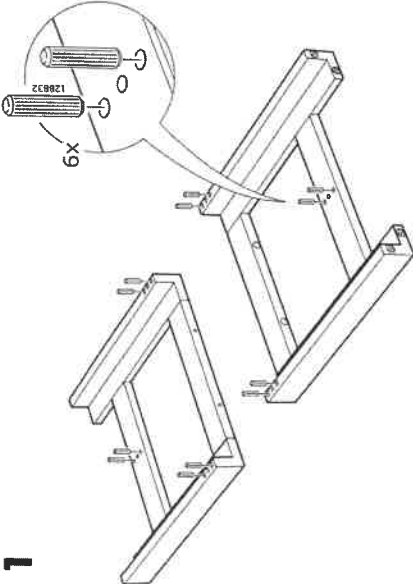
**ANNEXURE E**

**QUESTION 3.5**


LIST OF PARTS						
SCREW	DOWEL	DOWEL NUT SLEEVE	ALLEN KEY	BENCH LEG	LONG PANEL	BENCH SEAT
 4x 2x 4x	 12x 12x	 2x 4x	 1x	 2x	 1x	 1x

**STEP BY STEP ASSEMBLY INSTRUCTIONS**

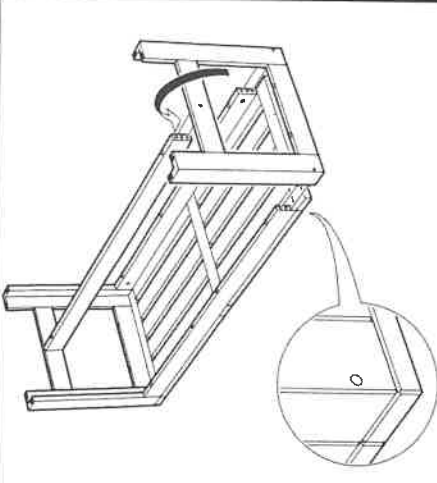
**1**



**2**



**3**



[Source: [ikea.com](http://ikea.com)]