



higher education & training

Department:
Higher Education and Training
REPUBLIC OF SOUTH AFRICA

MARKING GUIDELINE

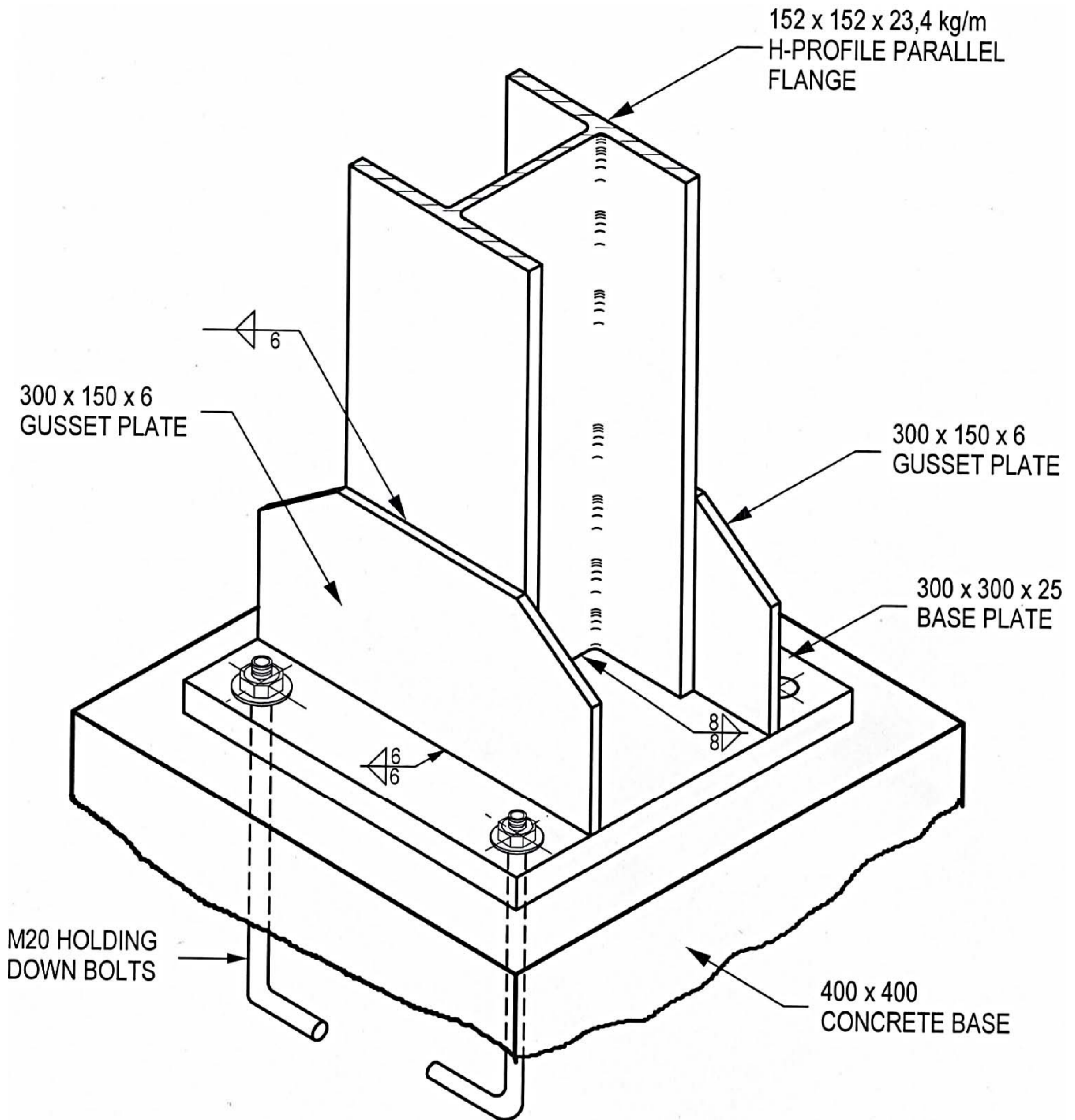
NATIONAL CERTIFICATE

BUILDING AND STRUCTURAL CONSTRUCTION N5

17 April 2020

This marking guideline consists of 10 pages.

QUESTION 1

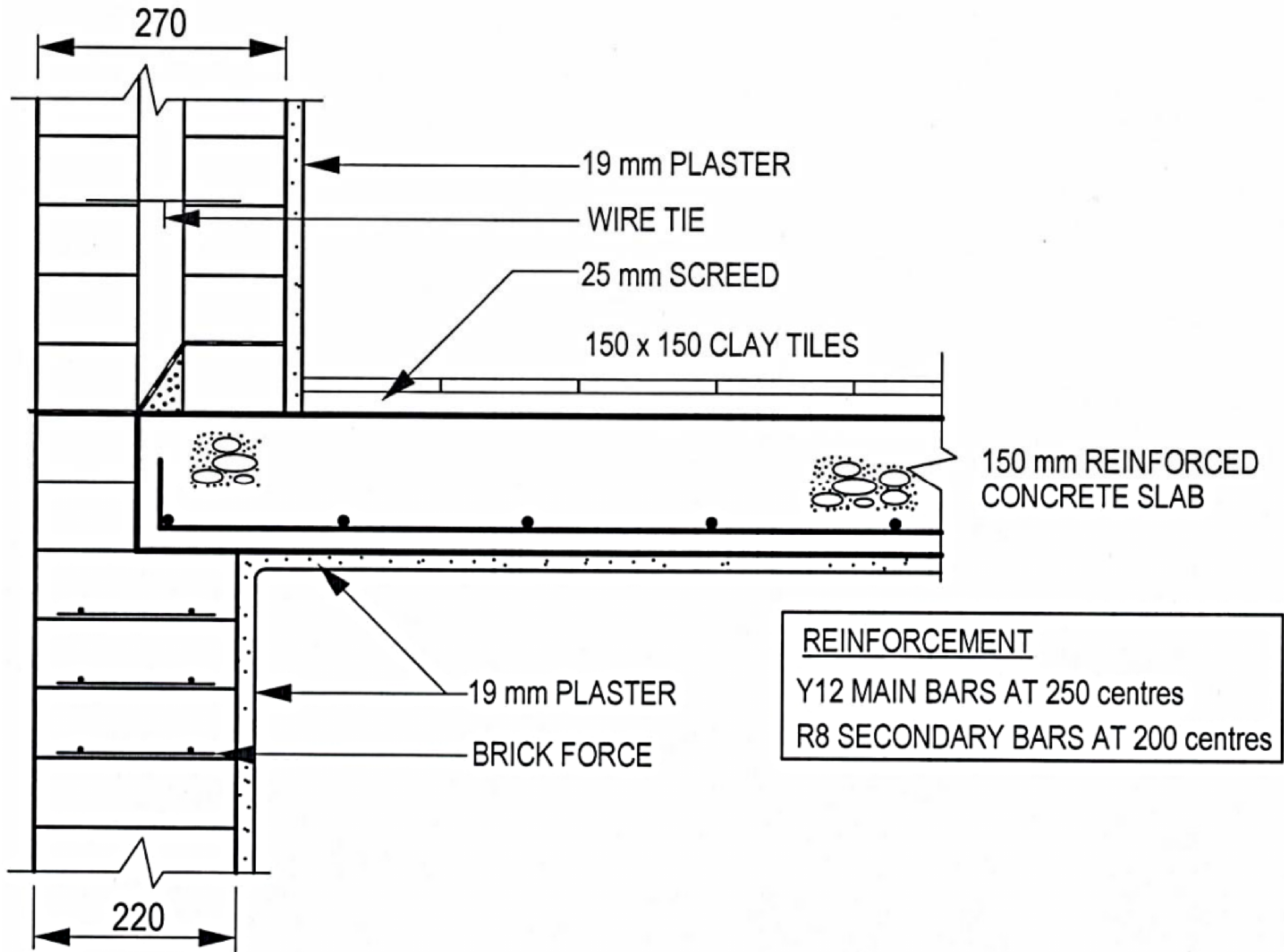


H-PROFILE STEEL STANCHION WELDED TO A BASE PLATE
SCALE 1:5

[18]

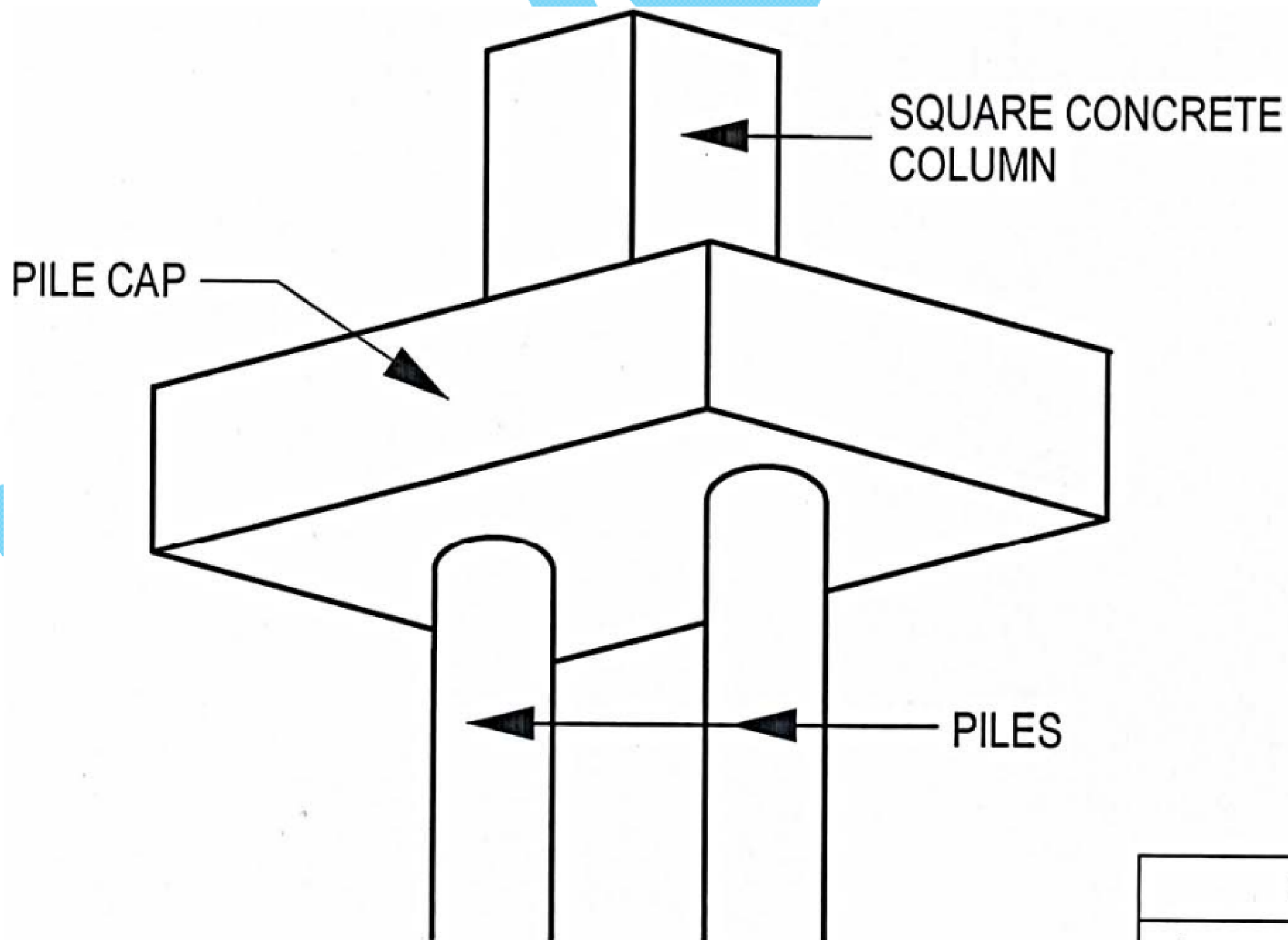
QUESTION 2

2.1



(12)

2.2



QUESTION 2.1
Accuracy: All parts in place 3 marks

(3)
[15]